

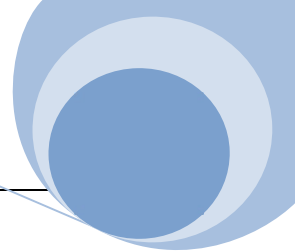
Model : GT-9215

Dryer (Hot Air Blower)

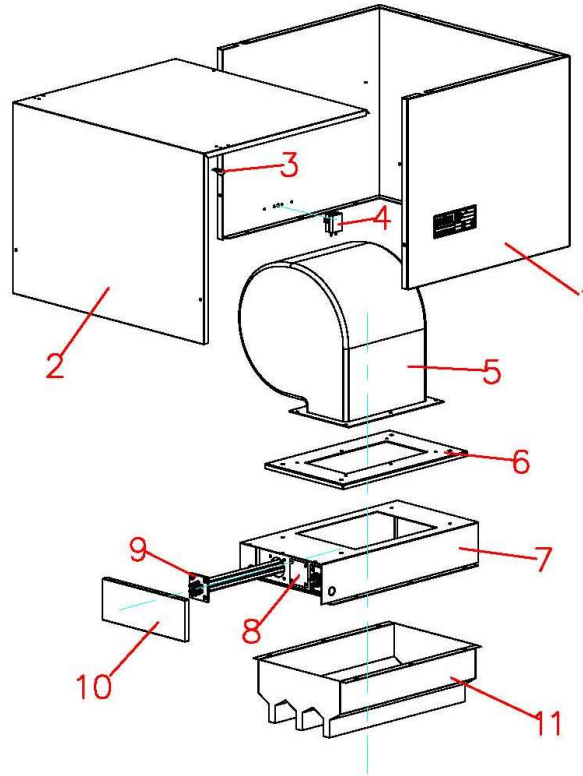
Parts Manual

Contents

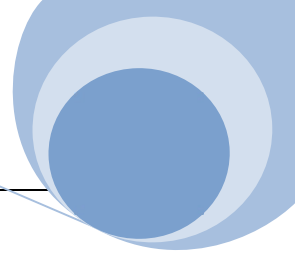
Top Hood (motor & heating element).....	3
Lower Panel.....	4
Upper Hood Assembly.....	5-6
Conveyor Rail.....	7
Conveyor Track.....	8
Control Panel.....	9



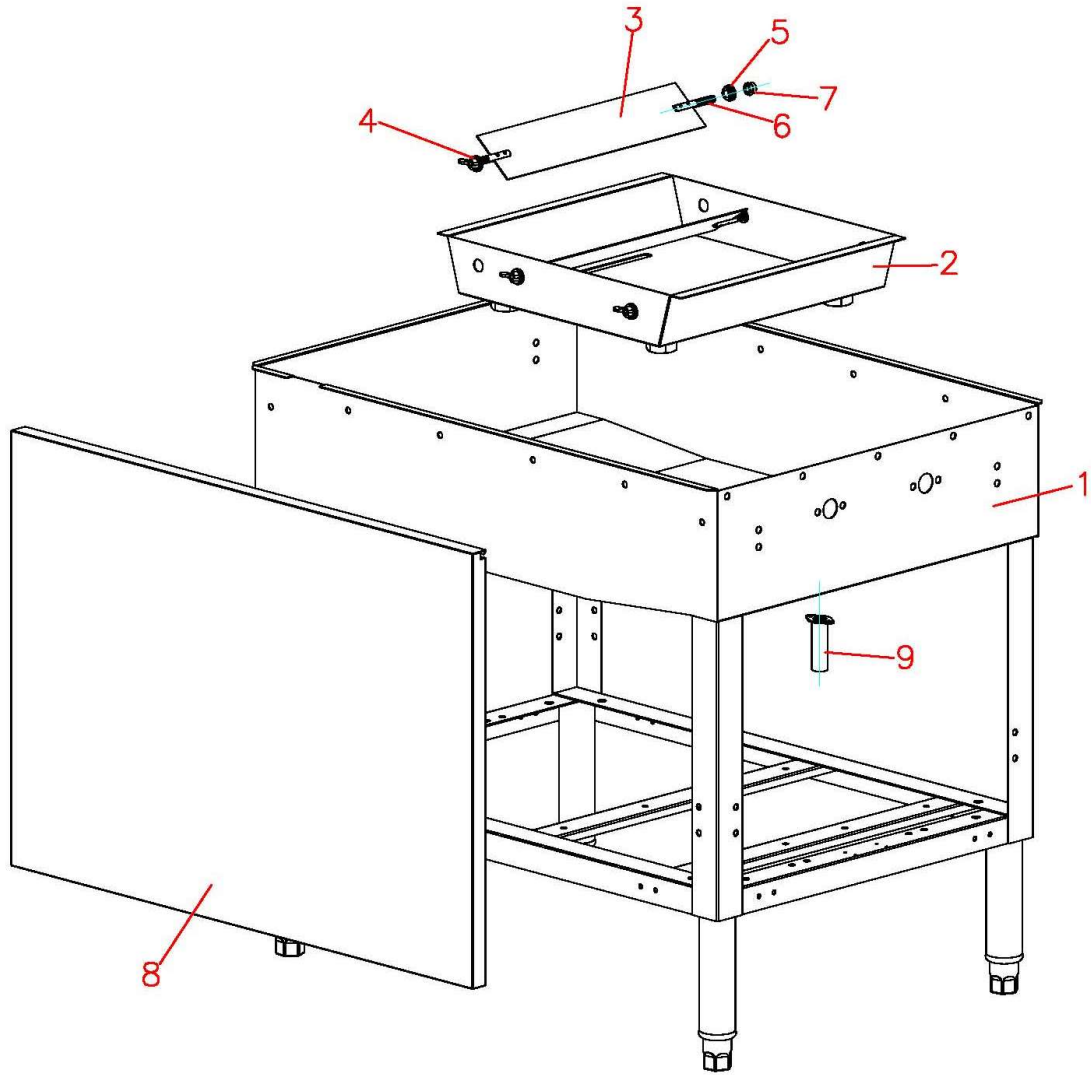
Top Hood (Motor & Heating Element)



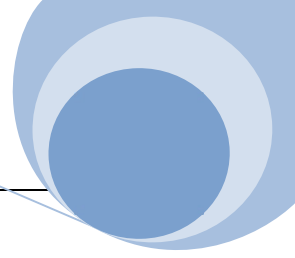
Item No.	Part No.	Part Name	Qty
1	AS-36-40301-1	Upper Hood (rear)	1
2	AS-36-40302-1	Upper Hood (front)	1
3	AS-36-40302-2	Support	2
4	86°C	Thermostat	1
5	KT6-43NO2.5 380V-60HZ-0.75	Blower Motor	1
	KT6-43NO2.5 220V-60HZ		
	KT6-43NO2.5 380V-50HZ-0.75		
6	AS-36-40304	Blower Motor Bracket	1
7	AS-36-40303	Heating Element Holder	1
8	AS-36-40303-5	Heating Element Gasket	1
9	AS-36 380V-4.5KWx490	Heating Element	3
10	AS-36-40306	Cover	1
11	AS-36-40305	Air Jet	1



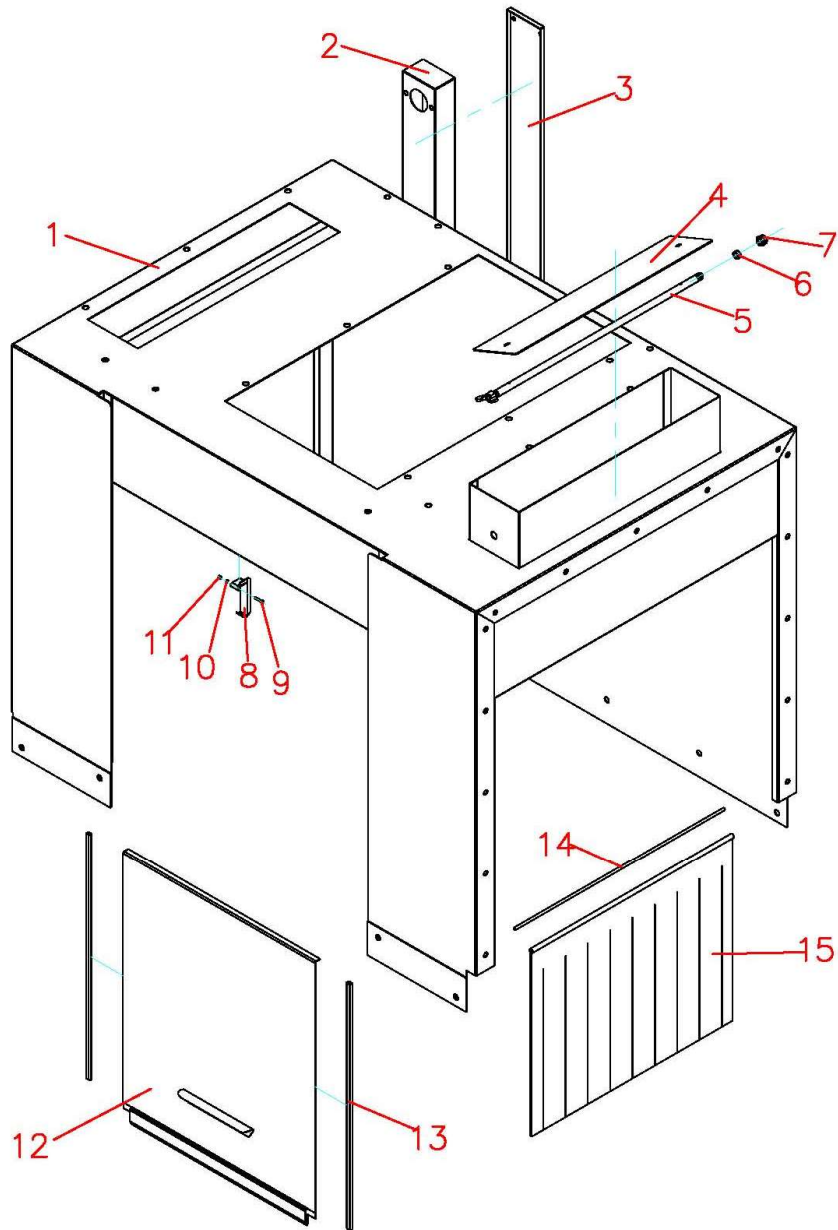
Lower Panel

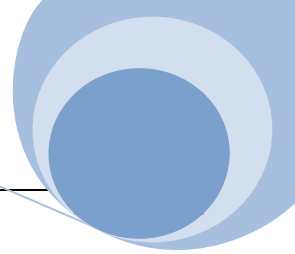


Item No.	Part No.	Part Name	Qty
1	AS-36-10000	Dryer Pan	1
2	AS-36-65301	Return Air Box	1
3	AS-36-65302	Reverse Turning Bed	3
4	GB/T62 M10	Butterfly	3
5	AS-36-65304	Cover	6
6	AS-36-65303	Spindle	6
7	GB/T899.1 M10	Nut	3
8	AS-36-65334	Control Panel Mask	1
9	AS-36-40301-4	Drain Pipe	1



Upper Hood Assembly

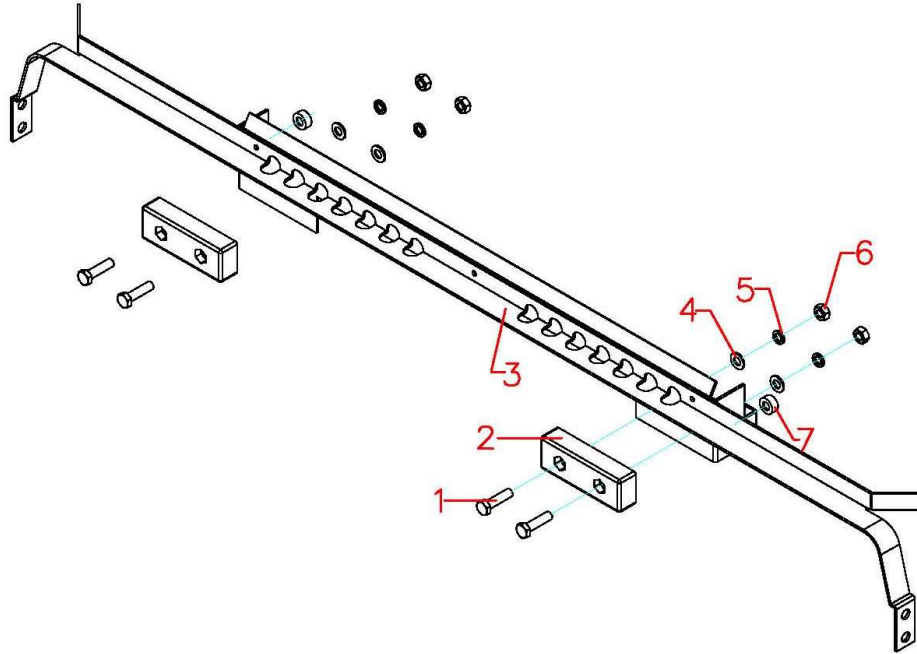




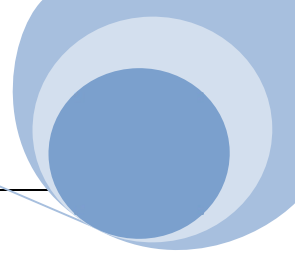
Upper Hood Assembly

Item No.	Part No.	Part Name	Qty
1	AS-36-20000(R-L) AS-36-20000(L-R)	Upper Hood (Right to Left) Upper Hood (Left to Right)	1
2	AS-36-80301	Wiring Trunk	1
3	AS-36-80302	Wiring Trunk Cover	1
4	CD-J11-303-4	Exhaust Flapper	1
5	CD-J11-303-3	Flipper Guide	1
6	CD-J11-303-5	Nut	1
7	GB/T889.1 M8	Bolt	1
8	T2D-65330	Door Hook	1
9	GB5783 M5x30	Hexagonal Bolt	1
10	GB97 M5	Flat Washer	1
11	GB/T899.1 M5	Nut	1
12	T2D-65331	Door panel	1
13	JD-65326(598)	Door Strip	2
14	φ6x625	Curtain Rod	1
15	580x460	Curtain	1

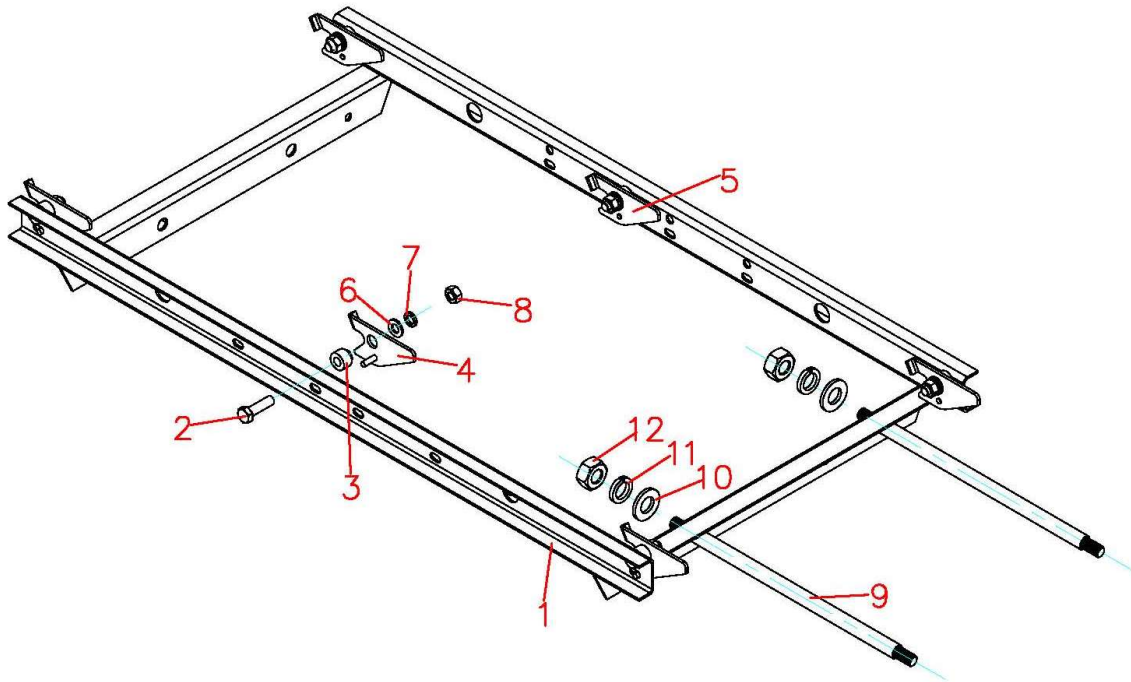
Conveyor Rail



Item No.	Part No.	Part Name	Qty
1	GB5781 M8x25	Hex Bolt	4
2	T2D-30311	Slider	2
3	AS-36-30301	Rail	1
4	GB97 M8	Flat Washer	4
5	GB93 M8	Split Washer	4
6	GB6170 M8	Hexagonal Nut	4
7	T2D-30312	Spacer (close to door)	2
	T2D-30313	Spacer (close to wall)	

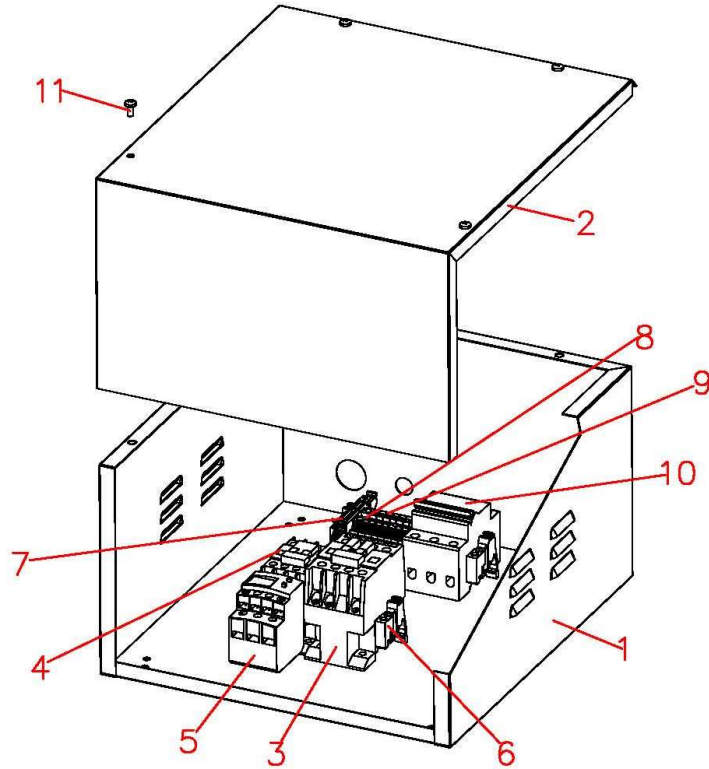


Conveyor Track



Item No.	Part No.	Part Name	Qty
1	AS-36-30000	Rack Truck	1
2	GB5781 M10x30	Hex Bolt	6
3	T2D-30310	Spacer	6
4	T2D-30306	Dog (right)	3
5	T2D-30305	Dog (left)	3
6	GB97 M10	Flat Washer	6
7	GB93 M10	Split Washer	6
8	GB6170 M10	Hexagonal Nut	6
9	A012-30307-07	Connecting Shaft (this item got 2 different sizes & 2part no., please check with Jack or Thomas at F2, his email is thomas@global-tek.org)	2
10	GB97 M14	Flat Washer	2
11	GB93 M14	Split Washer	2
12	GB6170 M14	Nut	2

Control Panel



Item No.	Part No.	Part Name	Qty
1	AS-36-70301	Control Panel Base	1
2	AS-36-70302	Control Panel Cover	1
3	LC1-D3210/M7N	Heater Contactor	1
4	LC1-D0610/M7N	Motor Contactor	1
5	LRD-08KN	Motor Over Load control	1
6	UKJ-2G2	Track Holder	4
7	UKJ-4RD	Wiring Terminal	1
8	UKJ-6	Wiring Terminal	1
9	UKJ-4	Wiring Terminal	8
10	C65N D63A	Circuit Breaker	1
11	GBT818 M5x12	Screw	4