

# GT-CR/BLOWER Installation Manual (Supplement)

Quantity of Parts required

<b>Part Name</b>	<b>Quantity</b>	<b>Figure no.</b>
Connecting rods and nuts	2 sets	Fig.4
Sandwich plate	1 piece	Fig.5
Connecting plate	2 pieces	Fig.6
Sealing tape	1 roll	
Screw, gasket, nut 5/16'	20 sets	
Wire	2 pieces	
Cable Tie	10 pieces	
Curtain	1 piece	

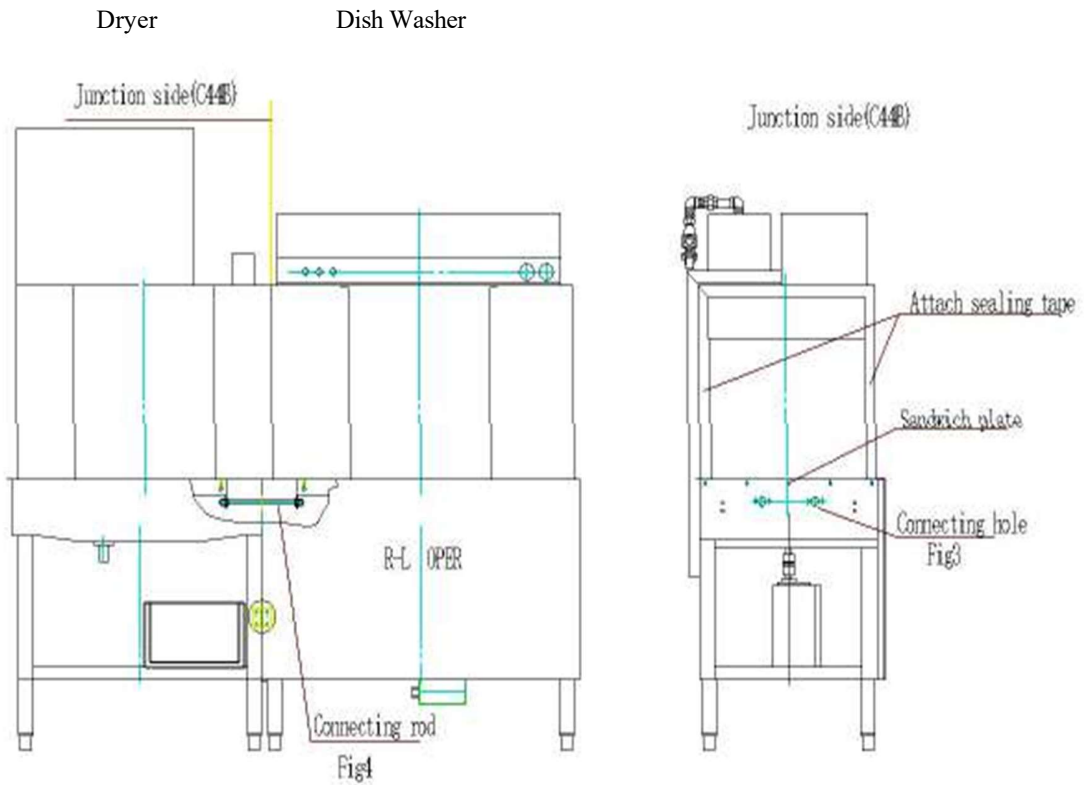
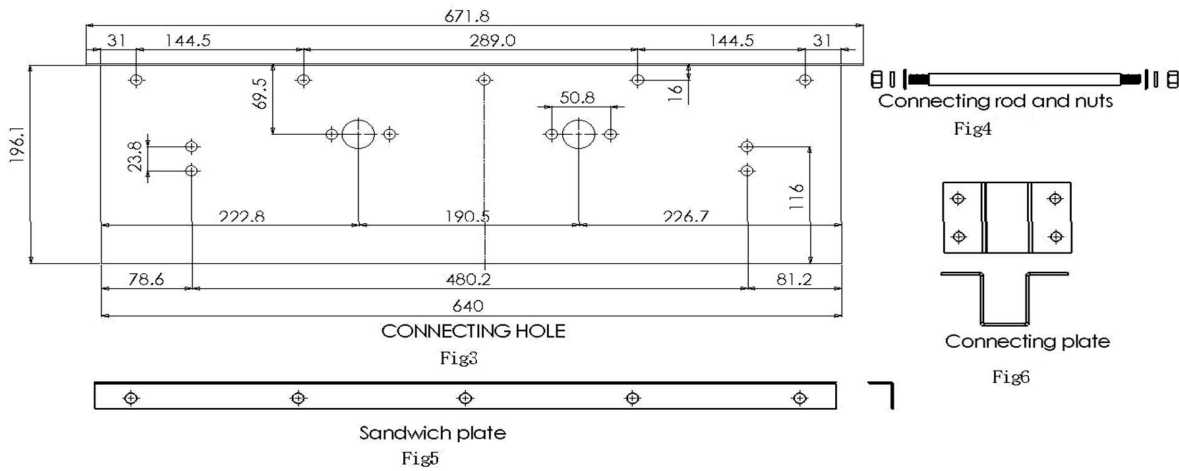


Figure 2



## Installation

**\*\*Warning: In order to avoid unnecessary mistake, please follow the proper installation procedures.**

1. Set the blower in its proper location. Adjust the height and level by turning the adjustable feet. Adjust all legs to match and level with the dish washer
2. Check the direction of the dish washer and blower if they are correct. Align the tank of the blower and dish washer, make sure the height is leveled. Disconnect the fixed bolts and nuts of the rails of the dish washer and blower, then reconnect the blower and dish washer with the same bolts and nuts.

**(Below steps 3 to 5 are not required if blower is ordered together with any conveyor typemachine)**

3. Mark the positions of the dish washer where punching is required. (Figure 3)
4. Separate the blower and dish washer, punch the holes were marked on the dish washer.
5. Clear all debris of the holes after punch to avoid cutting. Put the sealing tape on the sides of the wash tanks. (Figure 2)
6. Place the Sandwich plate on the dish washer; connect the blower with the connecting rod and nuts in correct position.
7. Install the connecting rod on the **Φ34mm** hole, and then tighten with **M14** nuts.
8. Fixing the dish washer and blower by install the connecting plate (Figure 6).
9. Check the height and angle of rails of the dish washer and blower are the same.

10. Connect the drain pipe on the blower to avoid water spillage.
11. Open the panel of the blower and connect the power supply to the circuit breaker. Connect the ground wire to the ground terminal.

**Note: Separate Power Supply is needed for the blower. Please refer to the diagram in the panel.**

12. Connection:

Clip the Aux. Contact Block (which has connected wire 231 and 235) to conveyor motor contactor.

13. After the above procedures are done, turn on the blower and observe if the rotation of the motor is in right direction. Otherwise change position of the two wires and check again, fail to do so may result in burnt motor.

**OPERATION:**

1. Install the curtain provided. Close the door.
2. Turn on the dish washer. The blower will operate automatically.

**\*\*Warning: Temperature inside the blower is 70°C, wearing gloves is highly recommended.**

## **DISCLAIMER**

Global-Tek Machinery Pte. Ltd. and/or Global-Tek Machinery Sdn. Bhd. and/or PT. Global Tek Indo and/or Global-Tek Technology (Shanghai) Co., Ltd. and/or Shanghai Global-Champion Machinery Co. Ltd does not accept responsibility for the mishandling, misuse, or non-performance of the described items when used for purposes other than those specified in the instructions. Products/machines/parts from Global-Tek Machinery Pte. Ltd., and/or Global-Tek Machinery Sdn. Bhd. and/or PT. Global Tek Indo, and/or Global-Tek Technology (Shanghai) Co., Ltd. and/or Shanghai Global-Champion Machinery Co. Ltd. are not for use in potentially explosive environments. Any use of our equipment in such an environment is at the risk of the user, Global-Tek Machinery Pte. Ltd. and/or Global-Tek Machinery Sdn. Bhd. and/or PT. Global Tek Indo and/or Global-Tek Technology (Shanghai) Co., Ltd. and/or Shanghai Global-Champion Machinery Co. Ltd. does not accept any liability in such circumstances.

## **WARRANTY**

Global-Tek Machinery Pte. Ltd. and/or Global-Tek Machinery Sdn. Bhd. and/or PT. Global Tek Indo and/or Global-Tek Technology (Shanghai) Co., Ltd. and/or Shanghai Global-Champion Machinery Co. Ltd. warranted against defects in material and workmanship for a period of **TWELEVE (12) months** from date of machine shipped, **THREE (3) months** warranty for parts sold separately. Warranty applies only to the replacement or repair of such parts when returned to factory with a given reference number, freight prepaid, and found to be defective upon factory authorized inspection. Bearings and pump seals or rubber and synthetic rubber parts such as “O” rings, diaphragms, and gaskets are considered expendable and are not covered under warranty. Warranty does not cover liability resulting from performance of this equipment nor the labor to replace this equipment. Product abuse or misuse voids warranty.

## **FOOTNOTE**

The information and specifications included in this publication were in effect at the time of approval for printing. Global-Tek Machinery Pte. Ltd., and/or Global-Tek Machinery Sdn. Bhd. And/or PT. Global Tek Indo and/or Global-Tek Technology (Shanghai) Co., Ltd. and/or Shanghai Global-Champion Machinery Co. Ltd. reserves the right, however, to discontinue or change specifications or design at any time without notice and without incurring any obligation whatsoever.

### **Global-Tek Machinery Pte. Ltd.**

Tel: + 65 6749 7123

Fax + 65 6481 7123

e-mail : [info@global-tek.sg](mailto:info@global-tek.sg)

Website : [www.global-tek.sg](http://www.global-tek.sg)

### **Global-Tek Technology (Shanghai) Co., Ltd.**

Tel : + 86 6978 8878

HP + 86 1370 173 3517

e-mail. [thomas.teng@global-tek.org](mailto:thomas.teng@global-tek.org)

Website : [www.global-tek.sg](http://www.global-tek.sg)

### **Global Tek Machinery Sdn. Bhd.**

Tel: + 60 12 925 5388

e-mail : [justin@global-tek.sg](mailto:justin@global-tek.sg)

Website : [www.global-tek.sg](http://www.global-tek.sg)

### **Shanghai Global-Champion Machinery Co. Ltd**

Tel: + 86 21 5746 9170

Fax: + 86 21 5146 9117

e-mail : [info@global-tek.sg](mailto:info@global-tek.sg)

Website : [www.global-tek.sg](http://www.global-tek.sg)